

smoke barriers

„The Siniat smoke barriers are provided in order to prevent free spread of smoke and gases generated by a fire in large rooms, such as production halls, warehouses, atria, or shopping centres. By dividing a bigger area into subzones, the barriers provide control over spread of smoke and heat, owing to which it is possible to separate the individual areas where smoke is supposed to gather from those which should remain free from smoke, which makes evacuation possible. The barriers manufactured by Siniat are made of the specialised Resistex boards, which

enable constructing suspended partitions meeting the criteria of the DH60 to DH150 classes in the conditions of a standard fire. In some buildings the smoke and heat extraction system is ineffective when not accompanied by smoke barriers, this is why the specialists of Siniat have developed the highest class of systems protecting health and life of people who currently are staying in buildings during occurrences of fire. The smoke barriers developed by Siniat were constructed and tested according to standard PN-EN12101-1, and subsequently marked with the CE marking.”

chapter contents

1240	75/C50/12,5
1242	100/C50/25
1244	75/C50UAR50/12,5
1246	100/C50UAR50/25
1248	75/UAR50/12,5
1250	100/UAR50/25

nida Kurtyna / index of systems

Page	Nida Kurtyna system name ²⁾	Plasterboard sheathing			Load-bearing structure ⁴⁾		Insulation material	Maximum barrier height - h ¹⁾	Weight of 1m ² of encasement	Fire resistance class ²⁾	Smoke leakage ³⁾		Special system
		Nida	Thickness [mm]	Marking acc. to standard	Type of Nida profile	Axial spacing between Nida profiles [mm]					Mineral wool (stone / glass)	Within the range of the fire resistance [mm]	
THE SYSTEM OF SMOKE BARRIERS ON THE NIDA C50 LOAD-BEARING STRUCTURE													
1241	75/C50/12,5/Resistex	Resistex	12,5	DFH2IR	C50	600	optional	500	26,0	DH60	0,7	1,2	●
1241	75/C50-400/12,5/Resistex	Resistex	12,5	DFH2IR	C50	400	optional	500	27,0	DH60	0,7	1,2	●
1241	75/C50-300/12,5/Resistex	Resistex	12,5	DFH2IR	C50	300	optional	500	28,0	DH60	0,7	1,2	●

¹⁾ The height of the smoke barriers acc. to the ITB 01060/17/R121NZK technical opinion.
²⁾ The fire resistance class according to the classification report LBO-1421-K/20.
³⁾ Smoke leakage according to the standard PN-EN 12101-1:2007.

Page	Nida Kurtyna system name ²⁾	Plasterboard sheathing			Load-bearing structure ⁴⁾		Insulation material	Maximum barrier height - h ¹⁾	Weight of 1m ² of encasement	Fire resistance class ²⁾	Smoke leakage ³⁾		Special system
		Nida	Thickness [mm]	Marking acc. to standard	Type of Nida profile	Axial spacing between Nida profiles [mm]					Mineral wool (stone / glass)	Within the range of the fire resistance [mm]	
THE SYSTEM OF SMOKE BARRIERS ON THE NIDA C50 LOAD-BEARING STRUCTURE													
1243	100/C50/25/Resistex	Resistex	2x12,5	DFH2IR	C50	600	optional	1000	50,0	DHA150	0,7	1,2	●
1243	100/C50-400/25/Resistex	Resistex	2x12,5	DFH2IR	C50	400	optional	1000	51,0	DHA150	0,7	1,2	●
1243	100/C50-300/25/Resistex	Resistex	2x12,5	DFH2IR	C50	300	optional	1000	52,0	DHA150	0,7	1,2	●

¹⁾ The height of the smoke barriers acc. to the ITB 01060/17/R121NZK technical opinion.
²⁾ The fire resistance class according to the classification report LBO-1420-K/20.
³⁾ Smoke leakage according to the standard PN-EN 12101-1:2007.

Page	Nida Kurtyna system name ²⁾	Plasterboard sheathing			Load-bearing structure ⁴⁾		Insulation material	Maximum barrier height - h ¹⁾	Weight of 1m ² of encasement	Fire resistance class ²⁾	Smoke leakage ³⁾		Special system
		Nida	Thickness [mm]	Marking acc. to standard	Type of Nida profile	Axial spacing between Nida profiles [mm]					Mineral wool (stone / glass)	Within the range of the fire resistance [mm]	
THE SYSTEM OF SMOKE BARRIERS ON THE NIDA C50UAR50 LOAD-BEARING STRUCTURE													
1245	75/C50UAR50/12,5/Resistex	Resistex	12,5	DFH2IR	C50UAR50	600	optional	1000	27,0	DH60	0,7	1,2	●
1245	75/C50UAR50-400/12,5/Resistex	Resistex	12,5	DFH2IR	C50UAR50	400	optional	1000	28,0	DH60	0,7	1,2	●
1245	75/C50UAR50-300/12,5/Resistex	Resistex	12,5	DFH2IR	C50UAR50	300	optional	1000	29,0	DH60	0,7	1,2	●

¹⁾ The height of the smoke barriers acc. to the ITB 01060/17/R121NZK technical opinion.
²⁾ The fire resistance class according to the classification report LBO-1421-K/20.
³⁾ Smoke leakage according to the standard PN-EN 12101-1:2007.

Page	Nida Kurtyna system name ²⁾	Plasterboard sheathing			Load-bearing structure ⁴⁾		Insulation material	Maximum barrier height - h ¹⁾	Weight of 1m ² of encasement	Fire resistance class ²⁾	Smoke leakage ³⁾		Special system
		Nida	Thickness [mm]	Marking acc. to standard	Type of Nida profile	Axial spacing between Nida profiles [mm]					Mineral wool (stone / glass)	Within the range of the fire resistance [mm]	
THE SYSTEM OF SMOKE BARRIERS ON THE NIDA C50UAR50 LOAD-BEARING STRUCTURE													
1247	100/C50UAR50/25/Resistex	Resistex	2x12,5	DFH2IR	C50UAR50	600	optional	1500	51,0	DHA150	0,7	1,2	●
1247	100/C50UAR50-400/25/Resistex	Resistex	2x12,5	DFH2IR	C50UAR50	400	optional	1500	52,0	DHA150	0,7	1,2	●
1247	100/C50UAR50-300/25/Resistex	Resistex	2x12,5	DFH2IR	C50UAR50	300	optional	1500	53,0	DHA150	0,7	1,2	●

¹⁾ The height of the smoke barriers acc. to the ITB 01060/17/R121NZK technical opinion.
²⁾ The fire resistance class according to the classification report LBO-1420-K/20.
³⁾ Smoke leakage according to the standard PN-EN 12101-1:2007.

Page	Nida Kurtyna system name ²⁾	Plasterboard sheathing			Load-bearing structure ⁴⁾		Insulation material	Maximum barrier height - h ¹⁾	Weight of 1m ² of encasement	Fire resistance class ²⁾	Smoke leakage ³⁾		Special system
		Nida	Thickness [mm]	Marking acc. to standard	Type of Nida profile	Axial spacing between Nida profiles [mm]					Mineral wool (stone / glass)	Within the range of the fire resistance [mm]	
THE SYSTEM OF SMOKE BARRIERS ON THE NIDA UAR50 LOAD-BEARING STRUCTURE													
1249	75/UAR50/12,5/Resistex	Resistex	12,5	DFH2IR	UAR50	600	optional	2000	28,0	DH60	0,7	1,2	●
1249	75/UAR50-400/12,5/Resistex	Resistex	12,5	DFH2IR	UAR50	400	optional	2000	29,0	DH60	0,7	1,2	●
1249	75/UAR50-300/12,5/Resistex	Resistex	12,5	DFH2IR	UAR50	300	optional	2000	30,0	DH60	0,7	1,2	●

¹⁾ The height of the smoke barriers acc. to the ITB 01060/17/R121NZK technical opinion.
²⁾ The fire resistance class according to the classification report LBO-1421-K/20.
³⁾ Smoke leakage according to the standard PN-EN 12101-1:2007.

Page	Nida Kurtyna system name ²⁾	Plasterboard sheathing			Load-bearing structure ⁴⁾		Insulation material	Maximum barrier height - h ¹⁾	Weight of 1m ² of encasement	Fire resistance class ²⁾	Smoke leakage ³⁾		Special system
		Nida	Thickness [mm]	Marking acc. to standard	Type of Nida profile	Axial spacing between Nida profiles [mm]					Mineral wool (stone / glass)	Within the range of the fire resistance [mm]	
THE SYSTEM OF SMOKE BARRIERS ON THE NIDA UAR50 LOAD-BEARING STRUCTURE													
1251	100/UAR50/25/Resistex	Resistex	2x12,5	DFH2IR	UAR50	600	optional	2500	52,0	DHA150	0,7	1,2	●
1251	100/UAR50-400/25/Resistex	Resistex	2x12,5	DFH2IR	UAR50	400	optional	2500	53,0	DHA150	0,7	1,2	●
1251	100/UAR50-300/25/Resistex	Resistex	2x12,5	DFH2IR	UAR50	300	optional	2500	54,0	DHA150	0,7	1,2	●

¹⁾ The height of the smoke barriers acc. to the ITB 01060/17/R121NZK technical opinion.
²⁾ The fire resistance class according to the classification report LBO-1420-K/20.
³⁾ Smoke leakage according to the standard PN-EN 12101-1:2007.

nida Kurtyna



Fire resistance class:
DH60



Smoke leakage:
 $Q_{spec}^{(20)} - 0,7 \text{ m}^3/\text{h}$
 $Q_{spec}^{(200)} - 1,2 \text{ m}^3/\text{h}$



Maximum barrier height:
500 mm



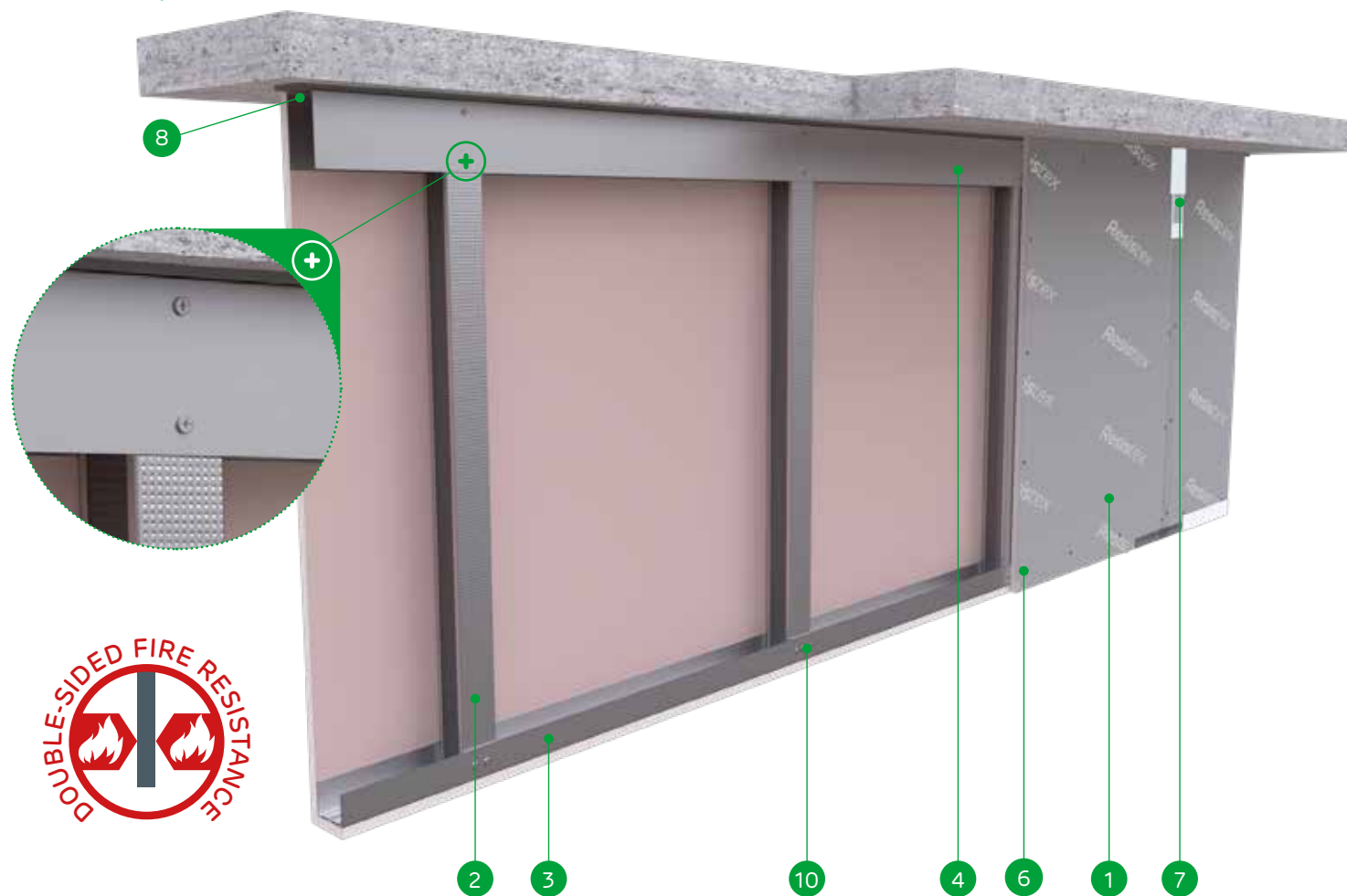
Weight of 1 m² of encasement:
26,0-28,0 kg



Number of related document:
PN-EN 12101-1:2007
CERT. 1488-CPR-0859/W

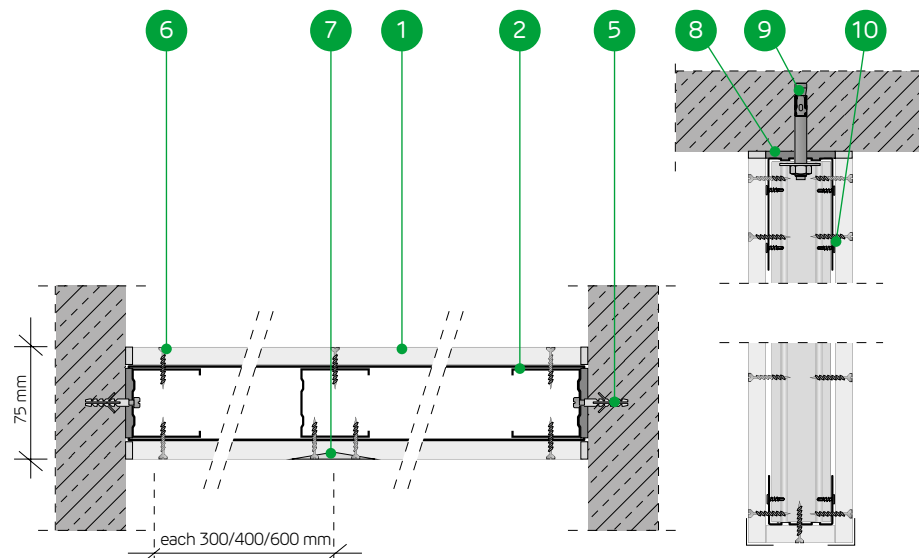
Declaration of performance:
DoP/Smoke Barrier/0070/02.07.2020

SYSTEMS:
75/C50/12,5



MATERIALS:

1. Resistex plasterboard
2. Nida C50 / C75 / C100 profile
3. Nida U50 / U75 / U100 bottom profile
4. Nida U50/80 / U75/80 / U100/80 top profile
5. Expansion plug
6. Nida sheet metal screws
7. The joint between the plasterboards filled with the Nida gypsum compound with the Nida reinforcement tape
8. Nida acoustic tape or mineral wool
9. Anchoring element (kind and type selected depending on load and substrate type) with expanded steel washer
10. FLAT HEAD 4.2x13 mm self-drilling screw for 1 mm sheet metal



THE SYSTEM OF SMOKE BARRIERS ON THE NIDA C50 LOAD-BEARING STRUCTURE

TECHNICAL PARAMETERS

Nida Kurtyna system name ²⁾	Plasterboard sheathing			Load-bearing structure ⁴⁾		Insulation material	Maximum barrier height - h ¹⁾	Weight of 1m ² of encasement	Fire resistance class ²⁾	Smoke leakage ³⁾		Special system
	Nida	Thickness [mm]	Marking acc. to standard	Type of Nida profile	Axial spacing between Nida profiles [mm]	Mineral wool (stone / glass)	Within the range of the fire resistance [mm]	[kg]	[min]	Q _{spec} ⁽²⁰⁾ [m ³ /h]	Q _{spec} ⁽²⁰⁰⁾ [m ³ /h]	
75/C50/12,5/Resistex	Resistex	12,5	DFH2IR	C50	600	optional	500	26,0	DH60	0,7	1,2	●
75/C50-400/12,5/Resistex	Resistex	12,5	DFH2IR	C50	400	optional	500	27,0	DH60	0,7	1,2	●
75/C50-300/12,5/Resistex	Resistex	12,5	DFH2IR	C50	300	optional	500	28,0	DH60	0,7	1,2	●

¹⁾ The height of the smoke barriers acc. to the ITB 01060/17/R121NZK technical opinion.

²⁾ The fire resistance class according to the classification report LBO-1421-K/20.

³⁾ Smoke leakage according to the standard PN-EN 12101-1:2007.

CONSUMPTION OF MATERIALS PER 1M² FOR THE SMOKE BARRIERS CONSTRUCTED ACCORDING TO THE NIDA KURTZYNA SYSTEM

Material name	UM	System type Nida Kurtyna		
		75/C50/12,5/Resistex	75/C50-400/12,5/Resistex	75/C50-300/12,5/Resistex
		Consumption of material per 1m ²		
Resistex 12.5 mm plasterboard	m ²	2,1	2,1	2,1
Nida C50 profile ⁴⁾	mb	1,8	2,7	3,6
Nida U50 profile ⁵⁾	mb	2,0	2,0	2,0
Nida U50/80 profile ⁶⁾	mb	2,0	2,0	2,0
Expansion plug ⁷⁾	szt.	0,6	0,6	0,6
Anchoring element ⁷⁾	szt.	2,0	2,0	2,0
Expanded steel washer	szt.	2,0	2,0	2,0
FLAT HEAD 4.2x13 mm self-drilling screws for 1 mm sheet metal	szt.	16,0	24,0	32,0
Nida 3,5x25 mm sheet metal screws	szt.	30,0	45,0	60,0
Nida reinforcement tape	szt.	2,8	2,8	2,8
Nida acoustic insulation tape	szt.	1,1	1,1	1,1
Nida Start gypsum putty	kg	0,6	0,6	0,6
Nida Finish gypsum putty	kg	0,2	0,2	0,2
Nida perforated aluminium corner profile	mb	2,0	2,0	2,0

⁴⁾ Utilisation of the C75 or C100 profiles is acceptable.

⁵⁾ Utilisation of the U75 or U100 profiles is acceptable.

⁶⁾ It is acceptable to utilise the U75/80 or U100/80 (for the U75/80 and U100/80 profiles the number of anchors per single anchoring point should be doubled).

⁷⁾ The type of the anchoring element should be selected individually adequately for the substrate type and the total mass of the encasement.

The standards concerning the amount of utilised material do not cover the loss of the material.

nida Kurtyna



Fire resistance class:
DHA150



Smoke leakage:
 $Q_{spec}^{(20)} - 0,7 \text{ m}^3/\text{h}$
 $Q_{spec}^{(200)} - 1,2 \text{ m}^3/\text{h}$



Maximum barrier height:
1000 mm



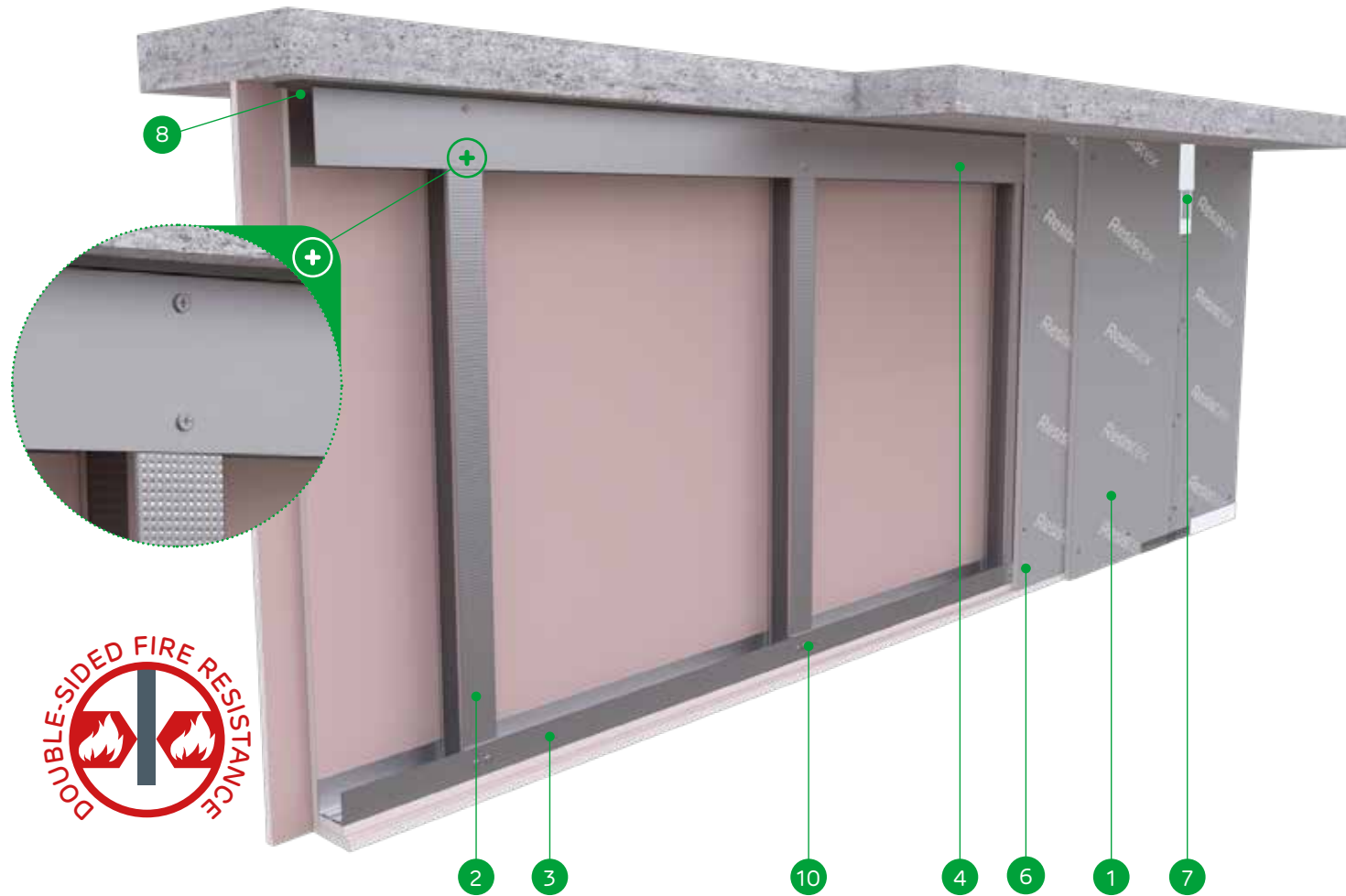
Weight of 1 m² of encasement:
50,0-52,0 kg



Number of related document:
PN-EN 12101-1:2007
CERT. 1488-CPR-0859/W

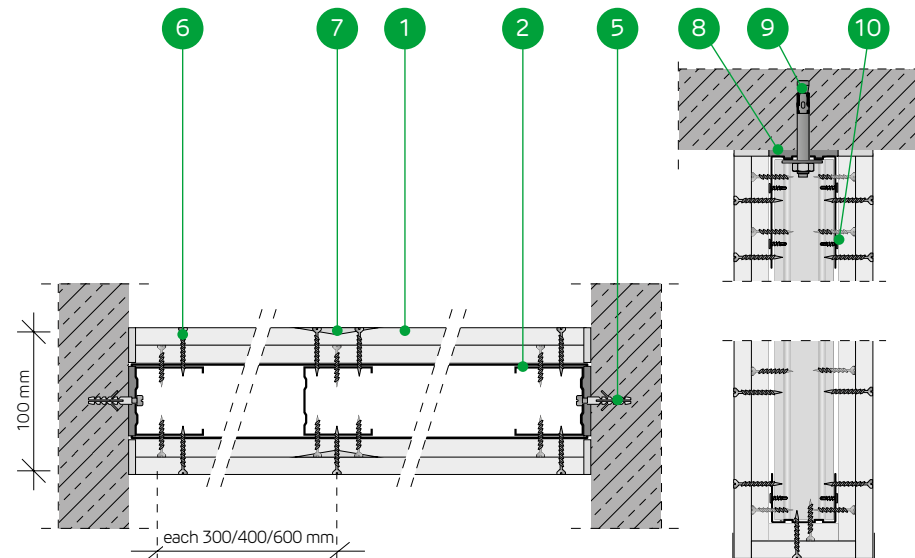
Declaration of performance:
DoP/Smoke Barrier/0070/02.07.2020

SYSTEMS:
100/C50/25



MATERIALS:

1. Resistex plasterboard
2. Nida C50 / C75 / C100 profile
3. Nida U50 / U75 / U100 bottom profile
4. Nida U50/80 / U75/80 / U100/80 top profile
5. Expansion plug
6. Nida sheet metal screws
7. The joint between the plasterboards filled with the Nida gypsum compound with the Nida reinforcement tape
8. Nida acoustic tape or mineral wool
9. Anchoring element (kind and type selected depending on load and substrate type) with expanded steel washer
10. FLAT HEAD 4.2x13 mm self-drilling screw for 1 mm sheet metal



THE SYSTEM OF SMOKE BARRIERS ON THE NIDA C50 LOAD-BEARING STRUCTURE

TECHNICAL PARAMETERS

Nida Kurtyna system name ²⁾	Plasterboard sheathing			Load-bearing structure ⁴⁾		Insulation material Mineral wool (stone / glass)	Maximum barrier height - h ¹⁾ Within the range of the fire resistance [mm]	Weight of 1m ² of encasement [kg]	Fire resistance class ²⁾ [min]	Smoke leakage ³⁾		Special system
	Nida	Thickness [mm]	Marking acc. to standard	Type of Nida profile	Axial spacing between Nida profiles [mm]					$Q_{spec}^{(20)}$ [m ³ /h]	$Q_{spec}^{(200)}$ [m ³ /h]	
100/C50/25/Resistex	Resistex	2x12,5	DFH2IR	C50	600	optional	1000	50,0	DHA150	0,7	1,2	●
100/C50-400/25/Resistex	Resistex	2x12,5	DFH2IR	C50	400	optional	1000	51,0	DHA150	0,7	1,2	●
100/C50-300/25/Resistex	Resistex	2x12,5	DFH2IR	C50	300	optional	1000	52,0	DHA150	0,7	1,2	●

¹⁾ The height of the smoke barriers acc. to the ITB 01060/17/R121NZK technical opinion.

²⁾ The fire resistance class according to the classification report LBO-1420-K/20.

³⁾ Smoke leakage according to the standard PN-EN 12101-1:2007.

CONSUMPTION OF MATERIALS PER 1M² FOR THE SMOKE BARRIERS CONSTRUCTED ACCORDING TO THE NIDA KURTyna SYSTEM

Material name	UM	System type Nida Kurtyna		
		100/C50/25/Resistex	100/C50-400/25/Resistex	100/C50-300/25/Resistex
		Consumption of material per 1m ²		
Resistex 12,5 mm plasterboard	m ²	4,2	4,2	4,2
Nida C50 profile ⁴⁾	mb	1,8	2,7	3,6
Nida U50 profile ⁵⁾	mb	1,0	1,0	1,0
Nida U50/80 profile ⁶⁾	mb	1,0	1,0	1,0
Expansion plug ⁷⁾	szt.	0,6	0,6	0,6
Anchoring element ⁷⁾	szt.	2,0	2,0	2,0
Expanded steel washer	szt.	2,0	2,0	2,0
FLAT HEAD 4.2x13 mm self-drilling screws for 1 mm sheet metal	szt.	16,0	24,0	32,0
Nida 3,5x25 mm sheet metal screws	szt.	12,0	18,0	24,0
Nida 3,5x35 mm sheet metal screws	szt.	30,0	45,0	60,0
Nida reinforcement tape	szt.	2,8	2,8	2,8
Nida acoustic insulation tape	szt.	1,1	1,1	1,1
Nida Start gypsum putty	kg	1,2	1,2	1,2
Nida Finish gypsum putty	kg	0,2	0,2	0,2
Nida perforated aluminium corner profile	mb	2,0	2,0	2,0

⁴⁾ Utilisation of the C75 or C100 profiles is acceptable.

⁵⁾ Utilisation of the U75 or U100 profiles is acceptable.

⁶⁾ It is acceptable to utilise the U75/80 or U100/80 (for the U75/80 and U100/80 profiles the number of anchors per single anchoring point should be doubled).

⁷⁾ The type of the anchoring element should be selected individually adequately for the substrate type and the total mass of the encasement.

The standards concerning the amount of utilised material do not cover the loss of the material.

nida Kurtyna



Fire resistance class:
DH60



Smoke leakage:
 $Q_{spec}^{(20)} - 0,7 \text{ m}^3/\text{h}$
 $Q_{spec}^{(200)} - 1,2 \text{ m}^3/\text{h}$



Maximum barrier height:
1000 mm



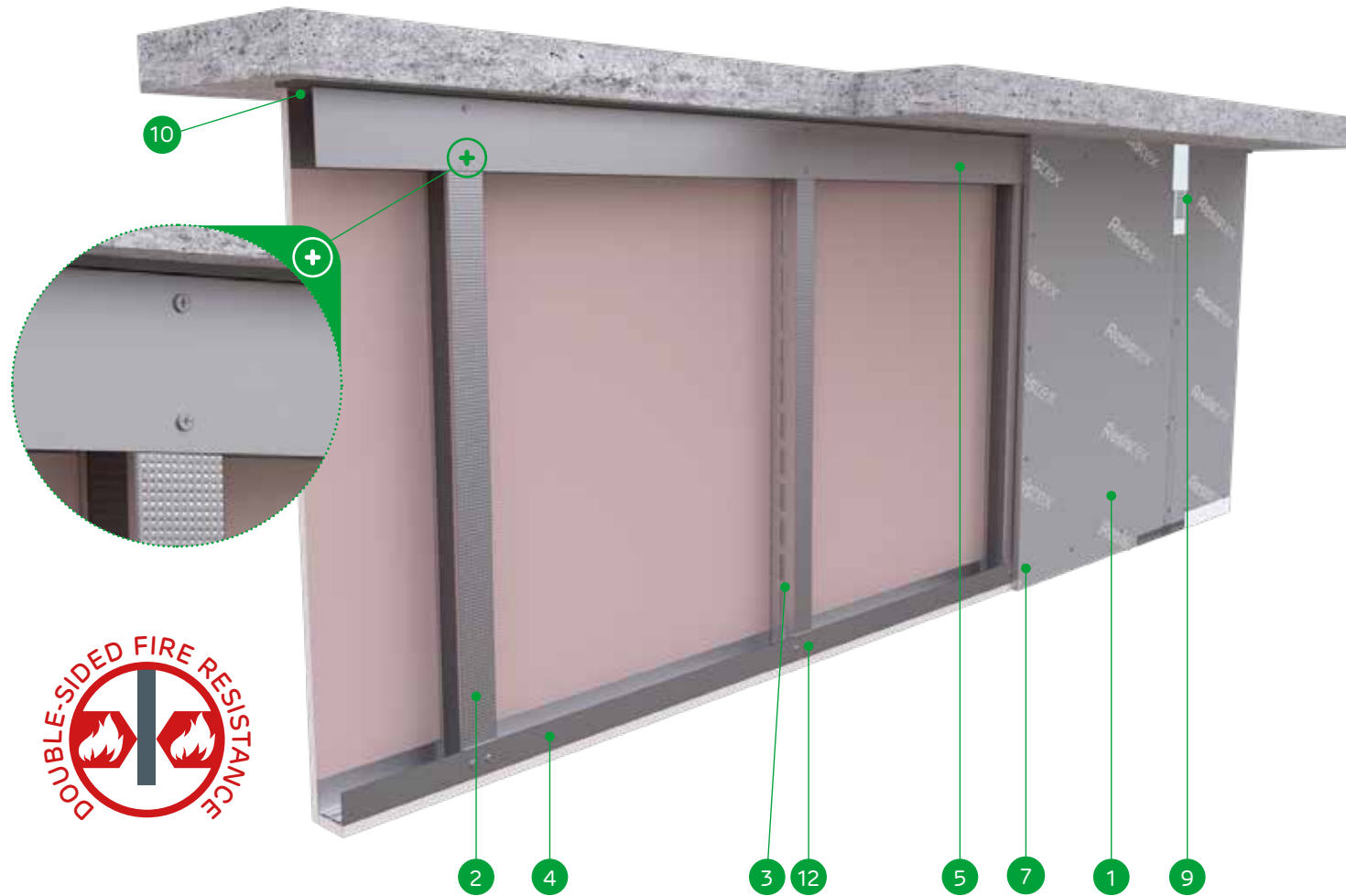
Weight of 1 m² of encasement:
27,0-29,0 kg



Number of related document:
PN-EN 12101-1:2007
CERT. 1488-CPR-0859/W

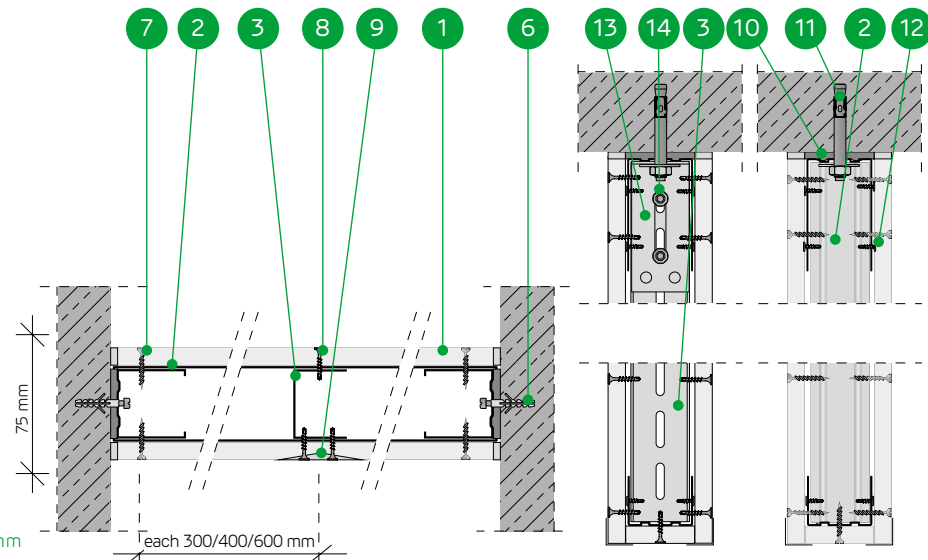
Declaration of performance:
DoP/Smoke Barrier/0070/02.07.2020

SYSTEMS:
75/C50UAR50/12,5



MATERIALS:

1. Resistex plasterboard
2. Nida C50 / C75 / C100 profile
3. Nida UAR50 / UAR75 / UAR100 profile
4. Nida U50 / U75 / U100 bottom profile
5. Nida U50/80 / U75/80 / U100/80 top profile
6. Expansion plug Nida
7. Nida sheet metal screws
8. Nida screws for 2 mm thick sheet metal
9. The joint between the plasterboards filled with the Nida gypsum compound with the Nida reinforcement tape
10. Nida acoustic tape or mineral wool
11. Anchoring element (kind and type selected depending on load and substrate type) with expanded steel washer
12. FLAT HEAD 4.2x13 mm self-drilling screw for 1 mm sheet metal
13. Nida angle profile for UA50 / UA75 / UA100 profile
14. FLAT HEAD M8 bolt with serrated nut



THE SYSTEM OF SMOKE BARRIERS ON THE NIDA C50UAR50 LOAD-BEARING STRUCTURE

TECHNICAL PARAMETERS

Nida Kurtyna system name ²⁾	Plasterboard sheathing			Load-bearing structure ⁴⁾		Insulation material	Maximum barrier height - h ¹⁾	Weight of 1m ² of encasement	Fire resistance class ²⁾	Smoke leakage ³⁾		Special system
	Nida	Thickness [mm]	Marking acc. to standard	Type of Nida profile	Axial spacing between Nida profiles [mm]	Mineral wool (stone / glass)	Within the range of the fire resistance [mm]	[kg]	[min]	Q _{spec} ⁽²⁰⁾ [m ³ /h]	Q _{spec} ⁽²⁰⁰⁾ [m ³ /h]	
75/C50UAR50/12,5/Resistex	Resistex	12,5	DFH2IR	C50UAR50	600	optional	1000	27,0	DH60	0,7	1,2	●
75/C50UAR50-400/12,5/Resistex	Resistex	12,5	DFH2IR	C50UAR50	400	optional	1000	28,0	DH60	0,7	1,2	●
75/C50UAR50-300/12,5/Resistex	Resistex	12,5	DFH2IR	C50UAR50	300	optional	1000	29,0	DH60	0,7	1,2	●

¹⁾ The height of the smoke barriers acc. to the ITB 01060/17/R121NZK technical opinion.
²⁾ The fire resistance class according to the classification report LBO-1421-K/20.
³⁾ Smoke leakage according to the standard PN-EN 12101-1:2007.

CONSUMPTION OF MATERIALS PER 1M² FOR THE SMOKE BARRIERS CONSTRUCTED ACCORDING TO THE NIDA KURTyna SYSTEM

Material name	UM	System type Nida Kurtyna		
		75/C50UAR50/12,5/Resistex	75/C50UAR50-400/12,5/Resistex	75/C50UAR50-300/12,5/Resistex
		Consumption of material per 1m ²		
Resistex 12,5 mm plasterboard	m ²	2,1	2,1	2,1
Nida C50 profile ⁴⁾	mb	0,9	1,35	1,8
Profil Nida UAR50 ⁴⁾	mb	0,9	1,35	1,8
Nida U50 profile ⁵⁾	mb	1,0	1,0	1,0
Nida U50/80 profile ⁶⁾	mb	1,0	1,0	1,0
Nida angle profile for UA50 profile ⁷⁾	szt.	0,5	0,75	1,0
FLAT HEAD M8 bolt with serrated nut	szt.	1,0	1,5	2,0
Expansion plug ⁸⁾	szt.	0,6	0,6	0,6
Anchoring element ⁸⁾	szt.	2,0	2,5	3,0
Expanded steel washer	szt.	2,0	2,5	3,0
FLAT HEAD 4.2x13 mm self-drilling screws for 1 mm sheet metal	szt.	16,0	24,0	32,0
Nida 3,5x25 mm sheet metal screws	szt.	15,0	22,5	30,0
Nida 3,5x25 mm screws for 2 mm thick sheet metal	szt.	15,0	22,5	30,0
Nida reinforcement tape	szt.	2,8	2,8	2,8
Nida acoustic insulation tape	szt.	1,1	1,1	1,1
Nida Start gypsum putty	kg	0,6	0,6	0,6
Nida Finish gypsum putty	kg	0,2	0,2	0,2
Nida perforated aluminium corner profile	mb	2,0	2,0	2,0

⁴⁾ Utilisation of the C75 and UAR75 or C100 and UAR100 profiles is acceptable.
⁵⁾ Utilisation of the U75 or U100 profiles is acceptable.
⁶⁾ It is acceptable to utilise the U75/80 or U100/80 (for the U75/80 and U100/80 profiles the number of anchors per single anchoring point should be doubled).
⁷⁾ For the installation of the UAR75 or UAR100 profiles, Nida angle profile for UA75 or UA100 profile should be used.
⁸⁾ The type of the anchoring element should be selected individually adequately for the substrate type and the total mass of the encasement. The standards concerning the amount of utilised material do not cover the loss of the material.

nida Kurtyna



Fire resistance class:
DHA150



Smoke leakage:
 $Q_{spec}^{(20)} - 0,7 \text{ m}^3/\text{h}$
 $Q_{spec}^{(200)} - 1,2 \text{ m}^3/\text{h}$



Maximum barrier height:
1500 mm



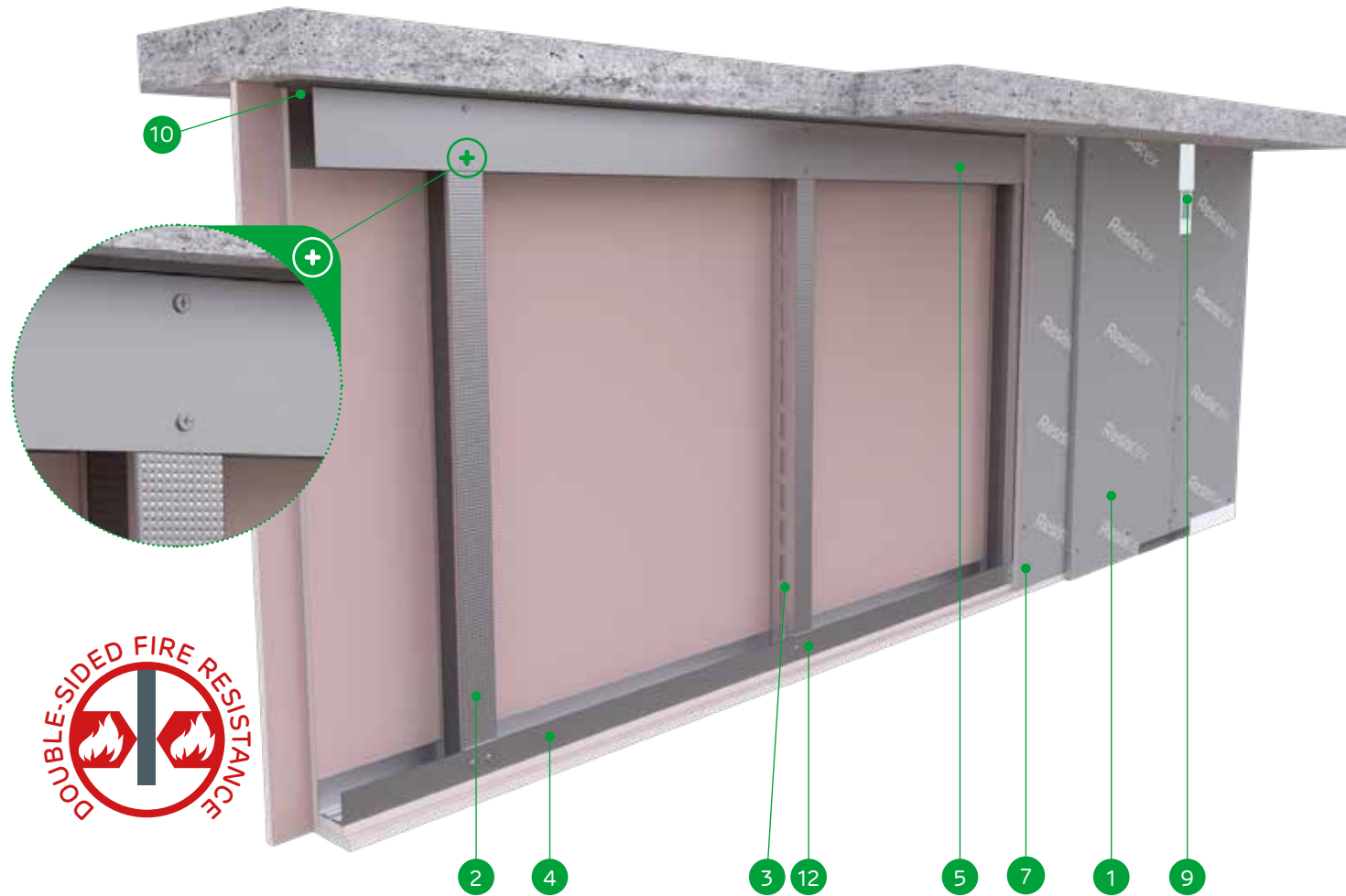
Weight of 1 m² of encasement:
51,0-53,0 kg



Number of related document:
PN-EN 12101-1:2007
CERT. 1488-CPR-0859/W

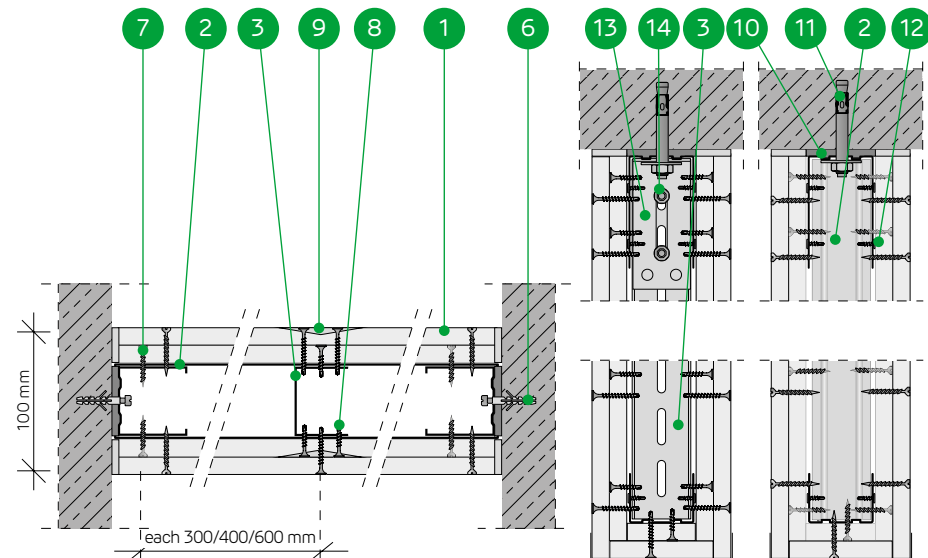
Declaration of performance:
DoP/Smoke Barrier/0070/02.07.2020

SYSTEMS:
100/C50UAR50/25



MATERIALS:

1. Resistex plasterboard
2. Nida C50 / C75 / C100 profile
3. Nida UAR50 / UAR75 / UAR100 profile
4. Nida U50 / U75 / U100 bottom profile
5. Nida U50/80 / U75/80 / U100/80 top profile
6. Expansion plug Nida
7. Nida sheet metal screws
8. Nida screws for 2 mm thick sheet metal
9. The joint between the plasterboards filled with the Nida gypsum compound with the Nida reinforcement tape
10. Nida acoustic tape or mineral wool
11. Anchoring element (kind and type selected depending on load and substrate type) with expanded steel washer
12. FLAT HEAD 4.2x13 mm self-drilling screw for 1 mm sheet metal
13. Nida angle profile for UA50 / UA75 / UA100 profile
14. FLAT HEAD M8 bolt with serrated nut



THE SYSTEM OF SMOKE BARRIERS ON THE NIDA C50UAR50 LOAD-BEARING STRUCTURE

TECHNICAL PARAMETERS

Nida Kurtyna system name ²⁾	Plasterboard sheathing			Load-bearing structure ⁴⁾		Insulation material	Maximum barrier height - h ¹⁾	Weight of 1m ² of encasement	Fire resistance class ²⁾	Smoke leakage ³⁾		Special system
	Nida	Thickness [mm]	Marking acc. to standard	Type of Nida profile	Axial spacing between Nida profiles [mm]	Mineral wool (stone / glass)	Within the range of the fire resistance [mm]	[kg]	[min]	Q _{spec} ⁽²⁰⁾ [m ³ /h]	Q _{spec} ⁽²⁰⁰⁾ [m ³ /h]	
100/C50UAR50/25/Resistex	Resistex	2x12,5	DFH2IR	C50UAR50	600	optional	1500	51,0	DHA150	0,7	1,2	●
100/C50UAR50-400/25/Resistex	Resistex	2x12,5	DFH2IR	C50UAR50	400	optional	1500	52,0	DHA150	0,7	1,2	●
100/C50UAR50-300/25/Resistex	Resistex	2x12,5	DFH2IR	C50UAR50	300	optional	1500	53,0	DHA150	0,7	1,2	●

¹⁾ The height of the smoke barriers acc. to the ITB 01060/17/R121NZK technical opinion.
²⁾ The fire resistance class according to the classification report LBO-1420-K/20.
³⁾ Smoke leakage according to the standard PN-EN 12101-1:2007.

CONSUMPTION OF MATERIALS PER 1M² FOR THE SMOKE BARRIERS CONSTRUCTED ACCORDING TO THE NIDA KURTyna SYSTEM

Material name	UM	System type Nida Kurtyna		
		100/C50UAR50/25/Resistex	100/C50UAR50-400/25/Resistex	100/C50UAR50-300/25/Resistex
		Consumption of material per 1m ²		
Resistex 12,5 mm plasterboard	m ²	4,2	4,2	4,2
Nida C50 profile ⁴⁾	mb	0,9	1,35	1,8
Profil Nida UAR50 ⁴⁾	mb	0,9	1,35	1,8
Nida U50 profile ⁵⁾	mb	1,4	1,4	1,4
Nida U50/80 profile ⁶⁾	mb	0,7	0,7	0,7
Nida angle profile for UA50 profile ⁷⁾	szt.	0,5	0,75	1,0
FLAT HEAD M8 bolt with serrated nut	szt.	1,0	1,5	2,0
Expansion plug ⁸⁾	szt.	0,6	0,6	0,6
Anchoring element ⁸⁾	szt.	2,0	2,5	3,0
Expanded steel washer	szt.	2,0	2,5	3,0
FLAT HEAD 4,2x13 mm self-drilling screws for 1 mm sheet metal	szt.	9,0	14,5	18,0
Nida 3,5x25 mm sheet metal screws	szt.	6,0	9,0	12,0
Nida 3,5x35 mm sheet metal screws	szt.	15,0	22,5	30,0
Nida 3,5x25 mm screws for 2 mm thick sheet metal	szt.	6,0	9,0	12,0
Nida 3,5x35 mm screws for 2 mm thick sheet metal	szt.	15,0	22,5	30,0
Nida reinforcement tape	szt.	2,8	2,8	2,8
Nida acoustic insulation tape	szt.	1,1	1,1	1,1
Nida Start gypsum putty	kg	1,2	1,2	1,2
Nida Finish gypsum putty	kg	0,2	0,2	0,2
Nida perforated aluminium corner profile	mb	2,0	2,0	2,0

⁴⁾ Utilisation of the C75 and UAR75 or C100 and UAR100 profiles is acceptable.
⁵⁾ Utilisation of the U75 or U100 profiles is acceptable.
⁶⁾ It is acceptable to utilise the U75/80 or U100/80 (for the U75/80 and U100/80 profiles the number of anchors per single anchoring point should be doubled).
⁷⁾ For the installation of the UAR75 or UAR100 profiles, Nida angle profile for UA75 or UA100 profile should be used.
⁸⁾ The type of the anchoring element should be selected individually adequately for the substrate type and the total mass of the encasement.
 The standards concerning the amount of utilised material do not cover the loss of the material.

nida Kurtyna



Fire resistance class:
DH60



Smoke leakage:
 $Q_{spec}^{(20)} - 0,7 \text{ m}^3/\text{h}$
 $Q_{spec}^{(200)} - 1,2 \text{ m}^3/\text{h}$



Maximum barrier height:
2000 mm



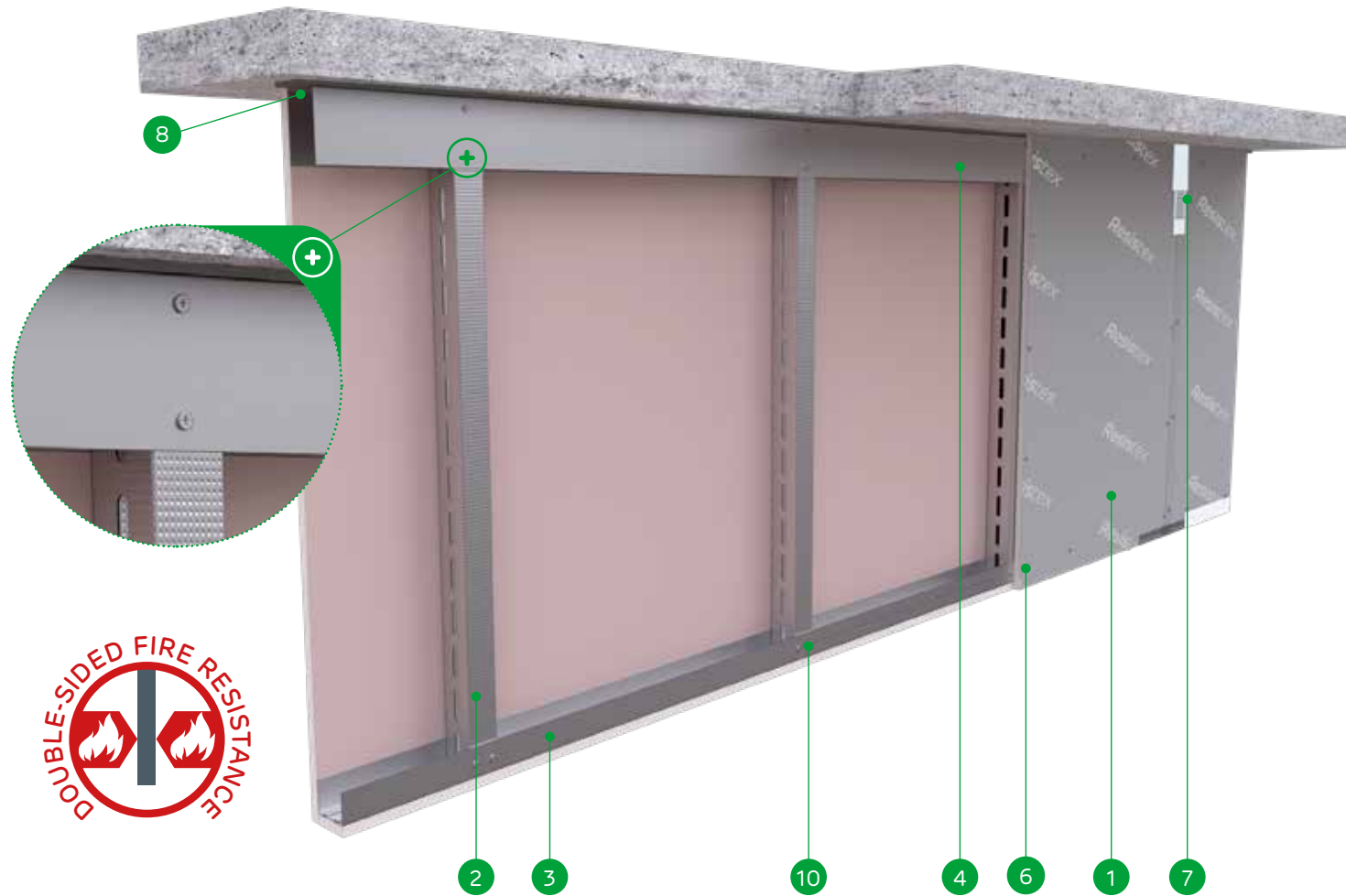
Weight of 1 m² of encasement:
28,0-30,0 kg



Number of related document:
PN-EN 12101-1:2007
CERT. 1488-CPR-0859/W

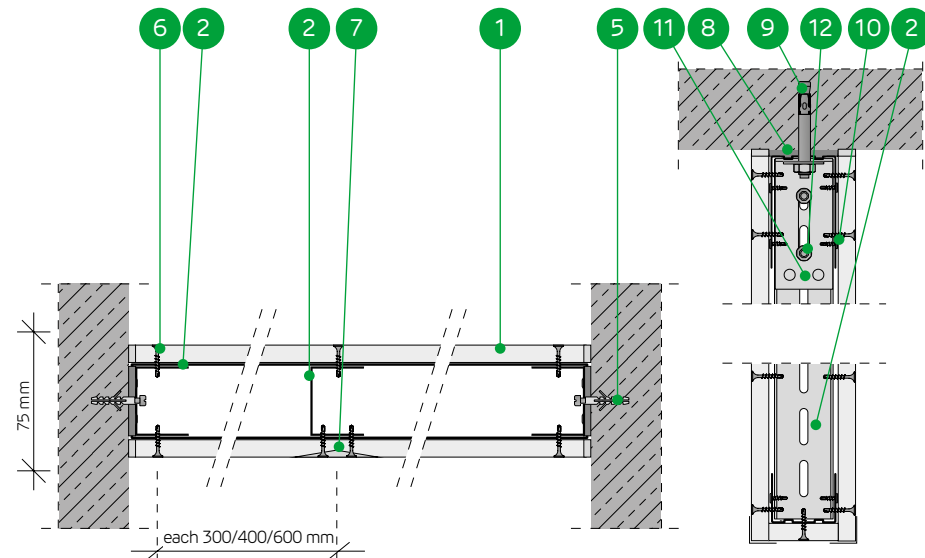
Declaration of performance:
DoP/Smoke Barrier/0070/02.07.2020

SYSTEMS:
75/UAR50/12,5



MATERIALS:

1. Resistex plasterboard
2. Nida UAR50 / UAR75 / UAR100 profile
3. Nida U50 / U75 / U100 bottom profile
4. Nida U50/80 / U75/80 / U100/80 top profile
5. Expansion plug
6. Nida screws for 2 mm thick sheet metal
7. The joint between the plasterboards filled with the Nida gypsum compound with the Nida reinforcement tape
8. Nida acoustic tape or mineral wool
9. Anchoring element (kind and type selected depending on load and substrate type) with expanded steel washer
10. FLAT HEAD 4.2x13 mm self-drilling screw for 1 mm sheet metal
11. Nida angle profile for UA50 / UA75 / UA100 profile
12. FLAT HEAD M8 bolt with serrated nut



THE SYSTEM OF SMOKE BARRIERS ON THE NIDA UAR50 LOAD-BEARING STRUCTURE

TECHNICAL PARAMETERS

Nida Kurtyna system name ²⁾	Plasterboard sheathing			Load-bearing structure ⁴⁾		Insulation material	Maximum barrier height - h ¹⁾	Weight of 1m ² of encasement	Fire resistance class ²⁾	Smoke leakage ³⁾		Special system
	Nida	Thickness [mm]	Marking acc. to standard	Type of Nida profile	Axial spacing between Nida profiles [mm]	Mineral wool (stone / glass)	Within the range of the fire resistance [mm]	[kg]	[min]	Q _{spec} ⁽²⁰⁾ [m ³ /h]	Q _{spec} ⁽²⁰⁰⁾ [m ³ /h]	
75/UAR50/12,5/Resistex	Resistex	12,5	DFH2IR	UAR50	600	optional	2000	28,0	DH60	0,7	1,2	●
75/UAR50-400/12,5/Resistex	Resistex	12,5	DFH2IR	UAR50	400	optional	2000	29,0	DH60	0,7	1,2	●
75/UAR50-300/12,5/Resistex	Resistex	12,5	DFH2IR	UAR50	300	optional	2000	30,0	DH60	0,7	1,2	●

¹⁾ The height of the smoke barriers acc. to the ITB 01060/17/R121N2K technical opinion.

²⁾ The fire resistance class according to the classification report LBO-1421-K/20.

³⁾ Smoke leakage according to the standard PN-EN 12101-1:2007.

CONSUMPTION OF MATERIALS PER 1M² FOR THE SMOKE BARRIERS CONSTRUCTED ACCORDING TO THE NIDA KURTyna SYSTEM

Material name	UM	System type Nida Kurtyna		
		75/UAR50/12,5/Resistex	75/UAR50-400/12,5/Resistex	75/UAR50-300/12,5/Resistex
		Consumption of material per 1m ²		
Resistex 12,5 mm plasterboard	m ²	2,1	2,1	2,1
Profil Nida UAR50 ⁴⁾	mb	1,8	2,7	3,6
Nida U50 profile ⁵⁾	mb	1,0	1,0	1,0
Nida U50/80 profile ⁶⁾	mb	0,5	0,5	0,5
Nida angle profile for UA50 profile ⁷⁾	szt.	1,0	1,5	2,0
FLAT HEAD M8 bolt with serrated nut	szt.	2,0	3,0	4,0
Expansion plug ⁸⁾	szt.	0,6	0,6	0,6
Anchoring element ⁹⁾	szt.	2,0	3,0	4,0
Expanded steel washer	szt.	2,0	3,0	4,0
FLAT HEAD 4.2x13 mm self-drilling screws for 1 mm sheet metal	szt.	9,0	14,5	18,0
Nida 3,5x25 mm screws for 2 mm thick sheet metal	szt.	30,0	45,0	60,0
Nida reinforcement tape	szt.	2,8	2,8	2,8
Nida acoustic insulation tape	szt.	1,1	1,1	1,1
Nida Start gypsum putty	kg	0,6	0,6	0,6
Nida Finish gypsum putty	kg	0,2	0,2	0,2
Nida perforated aluminium corner profile	mb	2,0	2,0	2,0

⁴⁾ Utilisation of the UAR75 or UAR100 profiles is acceptable.

⁵⁾ Utilisation of the U75 or U100 profiles is acceptable.

⁶⁾ It is acceptable to utilise the U75/80 or U100/80 (for the U75/80 and U100/80 profiles the number of anchors per single anchoring point should be doubled).

⁷⁾ For the installation of the UAR75 or UAR100 profiles, Nida angle profile for UA75 or UA100 profile should be used.

⁸⁾ The type of the anchoring element should be selected individually adequately for the substrate type and the total mass of the encasement.

The standards concerning the amount of utilised material do not cover the loss of the material.

nida Kurtyna



Fire resistance class:
DHA150



Smoke leakage:
 $Q_{spec}^{(20)} - 0,7 \text{ m}^3/\text{h}$
 $Q_{spec}^{(200)} - 1,2 \text{ m}^3/\text{h}$



Maximum barrier height:
2500 mm



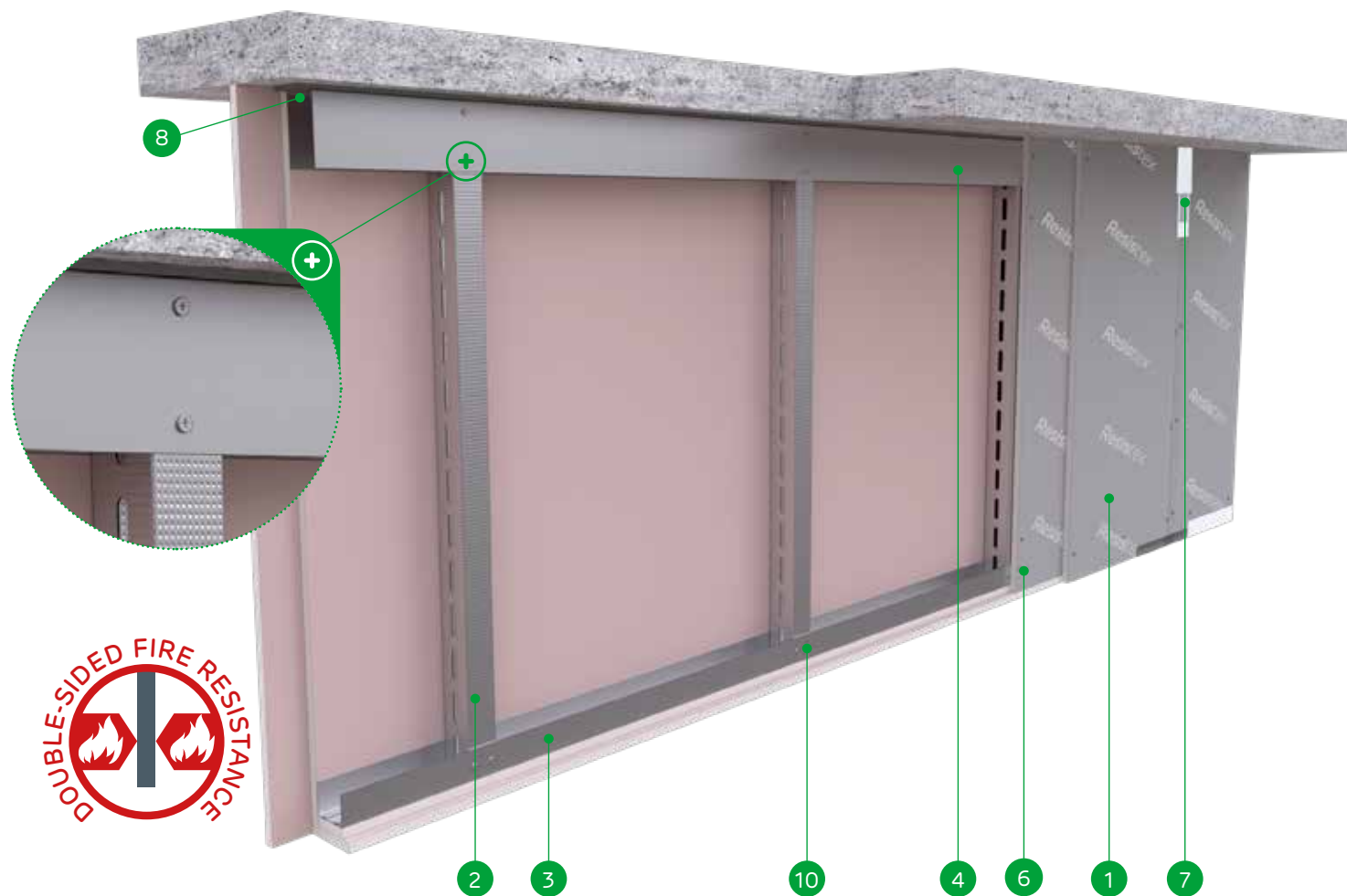
Weight of 1 m² of encasement:
52,0-54,0 kg



Number of related document:
PN-EN 12101-1:2007
CERT. 1488-CPR-0859/W

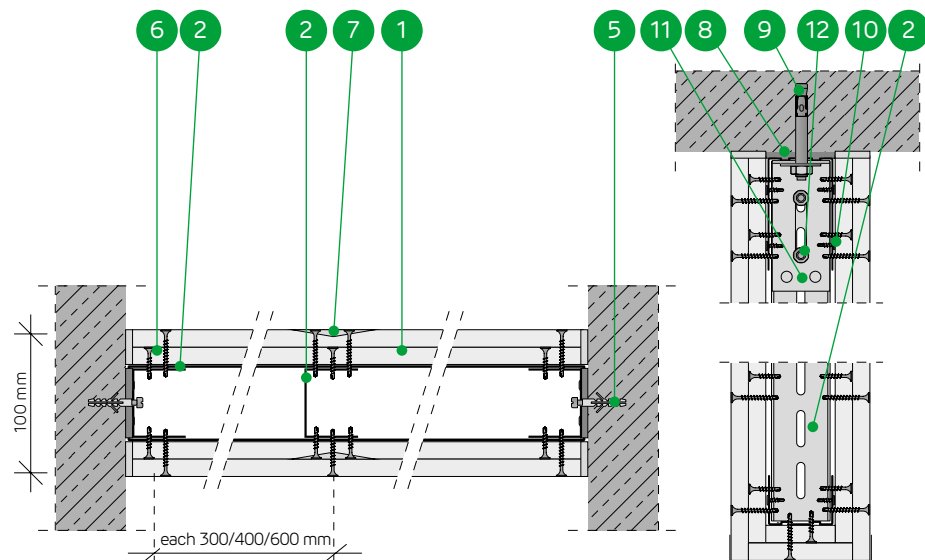
Declaration of performance:
DoP/Smoke Barrier/0070/02.07.2020

SYSTEMS:
100/UAR50/25



MATERIALS:

1. Resistex plasterboard
2. Nida UAR50 / UAR75 / UAR100 profile
3. Nida U50 / U75 / U100 bottom profile
4. Nida U50/80 / U75/80 / U100/80 top profile
5. Expansion plug
6. Nida screws for 2 mm thick sheet metal
7. The joint between the plasterboards filled with the Nida gypsum compound with the Nida reinforcement tape
8. Nida acoustic tape or mineral wool
9. Anchoring element (kind and type selected depending on load and substrate type) with expanded steel washer
10. FLAT HEAD 4.2x13 mm self-drilling screw for 1 mm sheet metal
11. Nida angle profile for UA50 / UA75 / UA100 profile
12. FLAT HEAD M8 bolt with serrated nut



THE SYSTEM OF SMOKE BARRIERS ON THE NIDA UAR50 LOAD-BEARING STRUCTURE

TECHNICAL PARAMETERS

Nida Kurtyna system name ⁴⁾	Plasterboard sheathing			Load-bearing structure ⁴⁾		Insulation material	Maximum barrier height - h ¹⁾ Within the range of the fire resistance [mm]	Weight of 1m ² of encasement [kg]	Fire resistance class ²⁾ [min]	Smoke leakage ³⁾		Special system
	Nida	Thickness [mm]	Marking acc. to standard	Type of Nida profile	Axial spacing between Nida profiles [mm]	Mineral wool (stone / glass)				$Q_{spec}^{(20)}$ [m ³ /h]	$Q_{spec}^{(200)}$ [m ³ /h]	
100/UAR50/25/Resistex	Resistex	2x12,5	DFH2IR	UAR50	600	optional	2500	52,0	DHA150	0,7	1,2	●
100/UAR50-400/25/Resistex	Resistex	2x12,5	DFH2IR	UAR50	400	optional	2500	53,0	DHA150	0,7	1,2	●
100/UAR50-300/25/Resistex	Resistex	2x12,5	DFH2IR	UAR50	300	optional	2500	54,0	DHA150	0,7	1,2	●

¹⁾ The height of the smoke barriers acc. to the ITB 01060/17/R121N2K technical opinion.

²⁾ The fire resistance class according to the classification report LBO-1420-K/20.

³⁾ Smoke leakage according to the standard PN-EN 12101-1:2007.

CONSUMPTION OF MATERIALS PER 1M² FOR THE SMOKE BARRIERS CONSTRUCTED ACCORDING TO THE NIDA KURTYNA SYSTEM

Material name	UM	System type Nida Kurtyna		
		100/UAR50/25/Resistex	100/UAR50-400/25/Resistex	100/UAR50-300/25/Resistex
		Consumption of material per 1m ²		
Resistex 12.5 mm plasterboard	m ²	4,2	4,2	4,2
Profil Nida UAR50 ⁴⁾	mb	1,8	2,7	3,6
Nida U50 profile ⁵⁾	mb	0,8	0,8	0,8
Nida U50/80 profile ⁶⁾	mb	0,4	0,4	0,4
Nida angle profile for UA50 profile ⁷⁾	szt.	1,0	1,5	2,0
FLAT HEAD M8 bolt with serrated nut	szt.	2,0	3,0	4,0
Expansion plug ⁸⁾	szt.	0,6	0,6	0,6
Anchoring element ⁸⁾	szt.	2,0	3,0	4,0
Expanded steel washer	szt.	2,0	3,0	4,0
FLAT HEAD 4.2x13 mm self-drilling screws for 1 mm sheet metal	szt.	9,0	14,5	18,0
Nida 3,5x25 mm screws for 2 mm thick sheet metal	szt.	12,0	18,0	24,0
Nida 3,5x35 mm screws for 2 mm thick sheet metal	szt.	30,0	45,0	60,0
Nida reinforcement tape	szt.	2,8	2,8	2,8
Nida acoustic insulation tape	szt.	1,1	1,1	1,1
Nida Start gypsum putty	kg	1,2	1,2	1,2
Nida Finish gypsum putty	kg	0,2	0,2	0,2
Nida perforated aluminium corner profile	mb	2,0	2,0	2,0

⁴⁾ Utilisation of the UAR75 or UAR100 profiles is acceptable.

⁵⁾ Utilisation of the U75 or U100 profiles is acceptable.

⁶⁾ It is acceptable to utilise the U75/80 or U100/80 (for the U75/80 and U100/80 profiles the number of anchors per single anchoring point should be doubled).

⁷⁾ For the installation of the UAR75 or UAR100 profiles, Nida angle profile for UA75 or UA100 profile should be used.

⁸⁾ The type of the anchoring element should be selected individually adequately for the substrate type and the total mass of the encasement.

The standards concerning the amount of utilised material do not cover the loss of the material.